

VingCard Allure Electronic Lock

VingCard Allure is a highly innovative electronic locking solution with a unique, flexible design and more features than ever before available in a locking system. The refined, contemporary and intuitive concept and technology was created with the elegant designer in mind.

Based on VingCard's RFID locking platform, Allure consists of a variety of wall panels, giving designers freedom of choice with a state of the art design-centric hardware and software solution.

Allure integrates VingCard's most advanced contactless locking solutions into its interior electronics, including Radio Frequency Identification (RFID) compatible locking technology, as well as full compatibility with the Visionline online solution.



FEATURES

- : EPD (Environmental Product Declaration) certified.
- : Supports the latest RFID technology.
- : Supports Mobile Access.
- : Wall-mounted panel with LED light information indicators.
- : Wall reader with customizable intelligence and functionality.
- : Detailed audit trail: 3000 events in offline mode (Vostio and Visionline version 1.24 and above) and unlimited number of events in online mode.
- : Stylish glass looking panels with flexible design options.
- : Illuminated room number option with 16 selectable LED light themes.
- : Inside panel for setting "Do Not Disturb" (DND) and Make Up Room (MUR) status.
- : Standalone solution for DND/MUR setting and status display.
- : Wireless communication between wall and door unit.
- : Online connectivity with Visionline Wireless (ZigBee) or Visionline Wired (PoE).
- : RFID Specifications:
 - 13,56MHz technology
 - Compatible with the following standards:
 - ISO 14443 A (MIFARE including Desfire)
 - ISO 14443 B
 - ISO 15693

ASSA ABLOY
Global Solutions

Experience a safer
and more open world

ACCESS PANELS



Allure Grand
SMART Panel with complete functionality; RFID lock, MUR/DND indicators, Door bell button, room number, logo (optional).

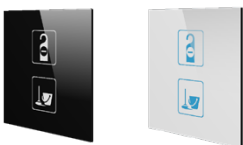
Allure Grand SPECIFICATIONS	
Dimensions (H x W x D)	160 x 110 x 13 mm 6,26 x 4,33 x 0,51 in
Weight (g)	133 g
RFID reading distance	10-30 mm (pending tag type and size)
Access symbol	3 color LED backlight
Doorbell button	Switch button with 2 color LED backlight
Room number backlight	16 color LED backlight (pre-defined, one selectable color at the time)
DND/MUR status indicator	3 color LED backlight
Operating temperature	Indoor use only: 5-60 °C / 41-140 °F, non-condensing environment
Storage conditions	0-70 °C / 32-158 °F: non-condensing environment
Material	Scratch resistant acrylic front, polycarbonate used in back frames and non-visible structural parts
Power source/Supply voltage	Power supplied through single cable from main control unit
Mechanical interface	Mounting bracket fastened with screws, click-on front panel
Electrical interface	Wired to main control unit. One cable with connector.
Colors	Standard Black or White. Customized design upon request.
IP rating (mounted)	41
Mobile Access support	Reader with built-in BLE or mobile access board add-on.



Allure Solo
SMART Panel with RFID lock.

Allure Solo SPECIFICATIONS	
Dimensions (H x W x D)	160 x 110 x 13 mm 6,26 x 4,33 x 0,51 in
Weight (g)	133 g
RFID reading distance	10-30 mm (pending tag type and size)
Access symbol	3 color LED backlight
Doorbell button	n/a
Room number backlight	n/a
DND/MUR status indicator	n/a
Operating temperature	Indoor use only: 5-60 °C / 41-140 °F, non-condensing environment
Storage conditions	0-70 °C / 32-158 °F: non-condensing environment
Material	Scratch resistant acrylic front, polycarbonate used in back frames and non-visible structural parts
Power source/Supply voltage	Power supplied through single cable from main control unit
Mechanical interface	Mounting bracket fastened with screws, click-on front panel
Electrical interface	Wired to main control unit. One cable with connector.
Colors	Standard Black or White. Customized design upon request.
IP rating (mounted)	41
Mobile Access support	Reader with built-in BLE or mobile access board add-on.

IN-ROOM PANELS



Allure in-room panel
SMART Panel with; MUR/DND switch.

SPECIFICATIONS	
Dimensions (H x W x D)	100 x 100 x 13 mm 3,70 x 3,70 x 0,51 in
Weight (g)	40 g
DND/MUR switches with indicators	3 color backlit touch buttons (LED light)
Operating temperature	Indoor use only: 5-60 °C / 41-140 °F, non-condensing environment
Storage conditions	0-70 °C / 32-158 °F: non-condensing environment
Material	Scratch resistant acrylic front, polycarbonate used in back frames and non-visible structural parts
Power source/Supply voltage	Power supplied through single cable from main control unit or directly connected to external power supply.
Mechanical interface	Mounting bracket fastened with screws, click-on front panel
Electrical interface	Wired to main PCBA via room bus. Can be connected to additional in-room panels via room bus. Optional doorbell output.
Colors	Standard Black or White. Customized design upon request.
IP rating (mounted)	41

ROOM STATUS PANELS



Allure Blend
SMART Panel with; Room number, MUR/DND indicators, Door bell button.

Allure Blend SPECIFICATIONS	
Dimensions (H x W x D)	160 x 110 x 13 mm 6,26 x 4,33 x 0,51 in
Weight (g)	133 g
RFID reading distance	n/a
Access symbol	n/a
Doorbell button	Switch button with 2 color LED backlight
Room number backlight	16 color LED backlight (pre-defined, one selectable color at the time)
DND/MUR status indicator	3 color LED backlight
Operating temperature	Indoor use only: 5-60 °C / 41-140 °F, non-condensing environment
Storage conditions	0-70 °C / 32-158 °F: non-condensing environment
Material	Scratch resistant acrylic front, polycarbonate used in back frames and non-visible structural parts
Power source/Supply voltage	12-24VDC or power supplied through room bus
Mechanical interface	Mounting bracket fastened with screws, click-on front panel
Electrical interface	Room bus
Colors	Standard Black or White. Customized design upon request.
IP rating (mounted)	41



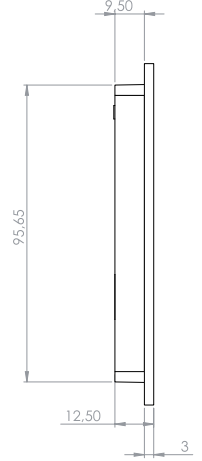
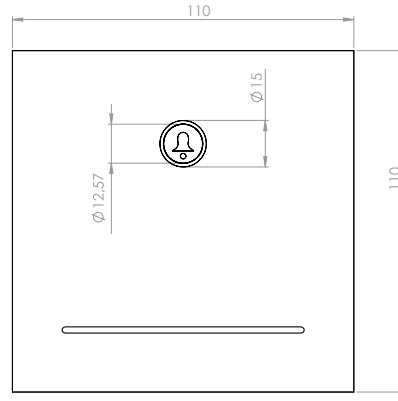
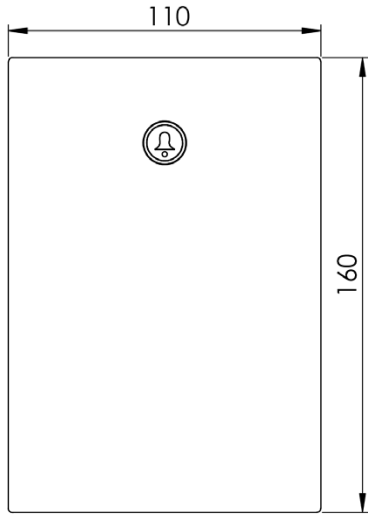
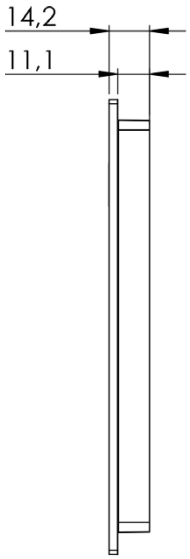
Allure Chic
SMART Panel with; MUR/DND indicators, Door bell button.

Allure Chic SPECIFICATIONS	
Dimensions (H x W x D)	110 x 110 x 13 mm 4,33 x 4,33 x 0,51 in
Weight (g)	40 g
RFID reading distance	n/a
Access symbol	n/a
Doorbell button	Switch button with 2 color LED backlight
Room number backlight	n/a
DND/MUR status indicator	3 color LED backlight
Operating temperature	Indoor use only: 5-60 °C / 41-140 °F, non-condensing environment
Storage conditions	0-70 °C / 32-158 °F: non-condensing environment
Material	Scratch resistant acrylic front, polycarbonate used in back frames and non-visible structural parts
Power source/Supply voltage	12-24VDC or power supplied through room bus
Mechanical interface	Mounting bracket fastened with screws, click-on front panel
Electrical interface	Room bus
Colors	Standard Black or White. Customized design upon request.
IP rating (mounted)	41



DIMENSIONS

: Door- and frame unit



Corridor panel; Allure Grand, Solo or Blend

Corridor panel; Allure Chic



Pic 1:
Allure with cable between main control unit and lock case (electronic override).

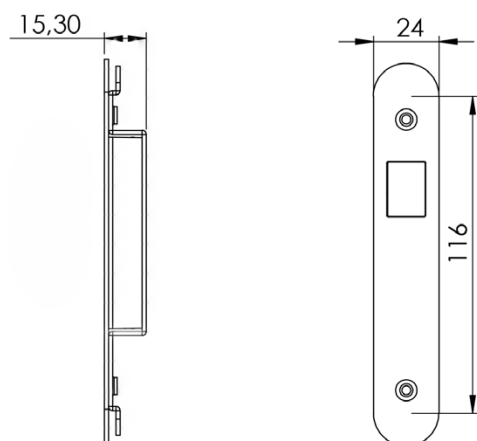
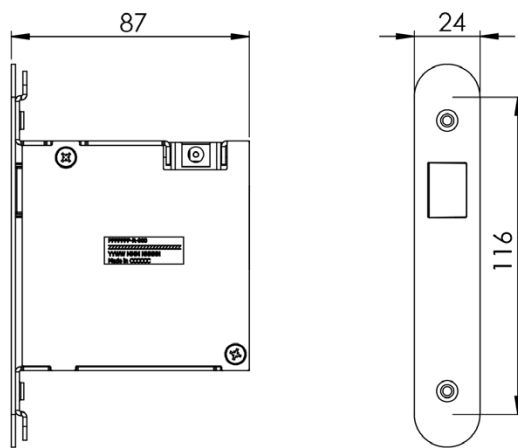
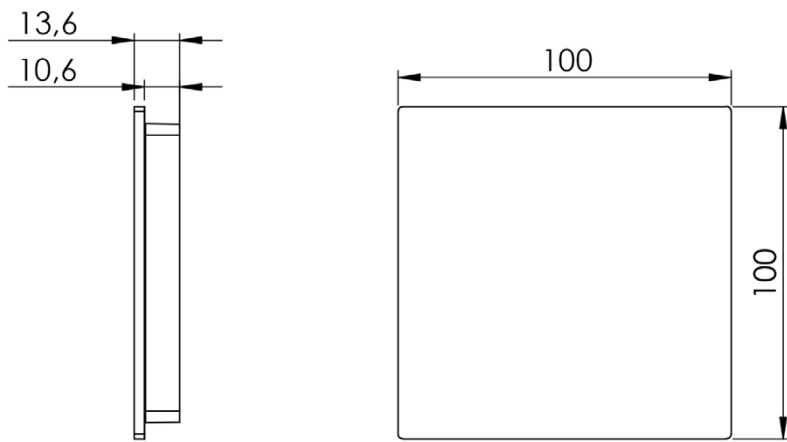


Pic 2:
Allure with IR communication between main control unit and lock case (electronic override).



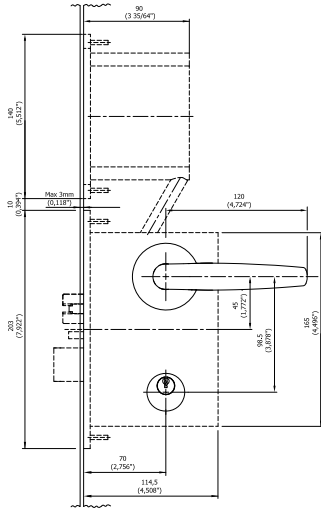
Pic 3:
Allure with mechanical override (cylinder).

: In-room panels

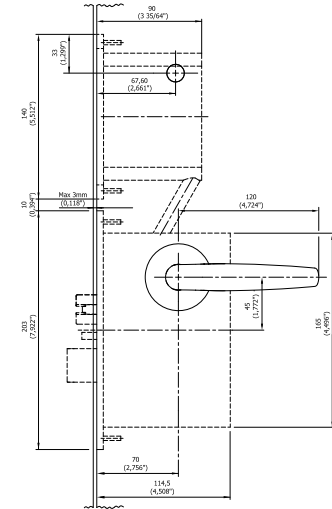


SPECIFICATIONS

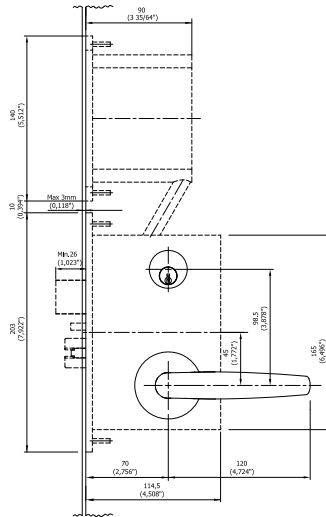
MECHANICAL OVERRIDE
ANSI DB lockcase
with cylinder



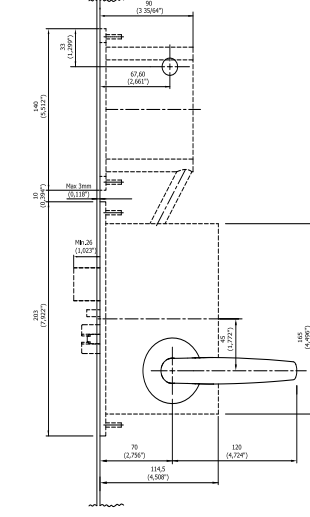
ELECTRONIC OVERRIDE
ANSI DB lockcase
without cylinder



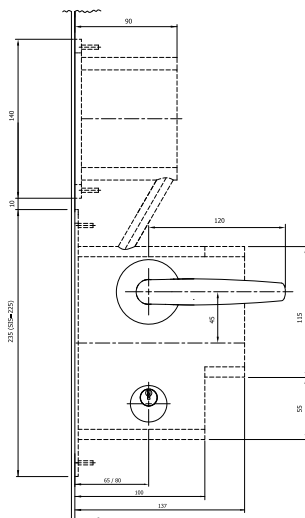
MECHANICAL OVERRIDE
ANSI DA lockcase
with cylinder



ELECTRONIC OVERRIDE
ANSI DA lockcase
without cylinder



MECHANICAL OVERRIDE
EURO lockcase
with cylinder



ELECTRONIC OVERRIDE
EURO lockcase
without cylinder

