

Interior sets

INTERIOR SETS WITH ROUND ROSETTES AND LONG ESCUTCHEON PLATES

Passage FIG. 1 (shown with RS small rosette trim) FIG. 2 (shown with RSQ small rosette trim)
Reversible for right and left handed doors.

Privacy FIGS. 3 and 5

Rosette trim is reversible for right and left handed doors. Escutcheon plates require door handing to be specified. Integral push button privacy features inside panic release function and outside emergency release. NEP (narrow long escutcheon plates) use a privacy bolt. Privacy bolt also available as a function (see deadbolt specifications).

Dummy FIG. 4

Must specify door handing for single dummy. Surface mounted spindle (X0571) or opposing spindle (X0572) available. Escutcheon plates with single dummy will have exposed mounting screws. Full dummy sets specified with R/L have exposed mounting screws on the interior only.

Rosette Trim

RT	Traditional style 2.9/16" (65mm) dia.
RP	Plain style 2.9/16" (65mm) dia.
RQ	Square style 2.9/16" (65mm) dia.
RS	Plain style 1.3/4" (45mm) dia.
RSQ	Square rosette (small) 1.3/4" (45mm)

Standard rosette (RT, RP, RQ) supplied is 2.9/16" (65mm).
For 1.3/4" (45mm) small rosettes (RS, RSQ), please specify.

NOTE: The RS, RSQ rosettes can only be used for new doors which do not have a 2.1/8" cross bore hole. Privacy sets require a separate privacy bolt (105 RSP, 105 RSQ). No integral privacy sets are available with RS, RSQ rosettes. Heavy-duty springs attached to the rosette and lever provide added strength and durability. (Not supplied with knob sets.) All rosette trims have concealed mounting screws.

Escutcheon Plates FIG. 3

ET	Traditional style
EP	Plain style
ER	Rectangular style
NEP	Narrow style
NER	Narrow Rectangular Style

ET, EP, ER, escutcheon plate styles will cover a 2.1/8" cross bore hole. Heavy-duty, spring-loaded housings (X2124M) are included for added strength and durability. (Not supplied with knob sets.) NEP, NER trim has springs attached to the escutcheon and lever.

Door Thickness

Standard = 1.3/8" to 1.3/4".
For any other size, please specify.

Backset

Standard = 2.3/8". For 2.3/4" please specify.
2" backset is also available for passage sets only. 03/brass finish only.

Latch Bolt

1/2" throw with a 2.1/4" x 1" face plate.
8 mm square hub size.
28 degree latch reversible

Strike Plate

Standard = T-strike 2.3/4" x 1.1/8" Lip size = 1.1/4"
Full lip strikes are available upon special request.
Square corner.

Cross Bore

Fits in any standard 2.1/8" cross bore hole with a 1" edge bore.
RS rosettes and NEP narrow long escutcheon plates require a 5/8" cross bore hole.

Dust Box

Included.

Figure 1
Passage Function
RS trim

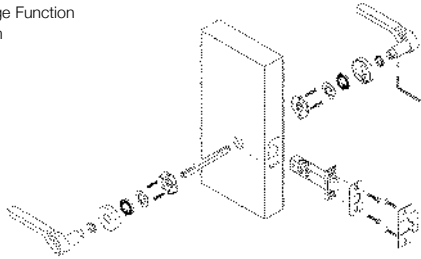


Figure 2
Passage Function
RSQ Trim

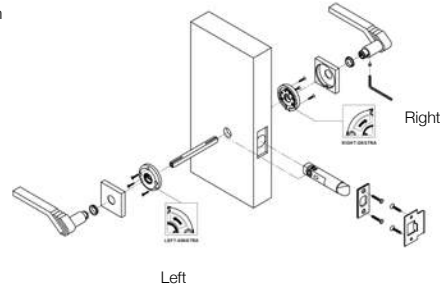


Figure 3
Privacy Function
For long escutcheon plates
EP trim

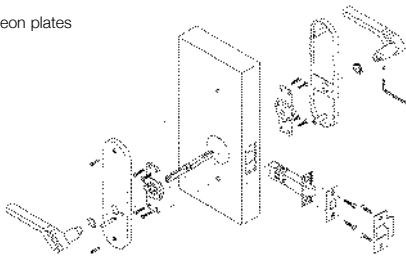


Figure 4
Dummy Trim
For Rosette and Escutcheon

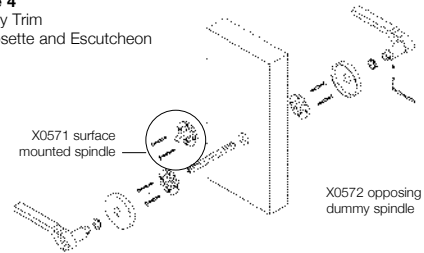
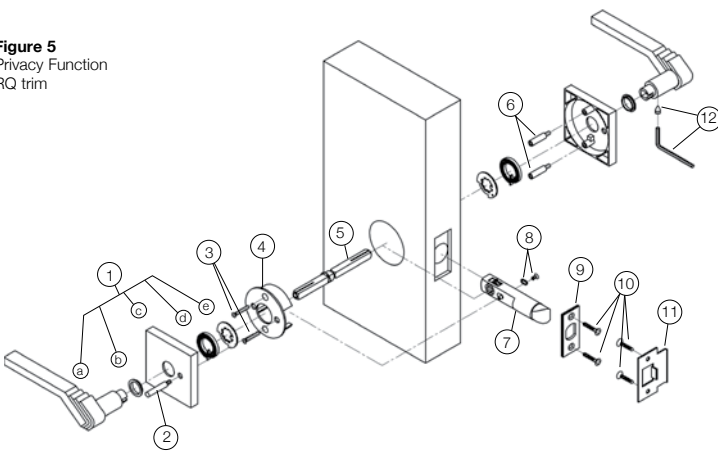


Figure 5
Privacy Function
RQ trim



Parts List

1. Lever & Rosette Assemblies(2) includes:
 - a) lever
 - b) nylon washer
 - c) rosette
 - d) spring
 - e) retaining ring
2. Privacy Pin (1)
3. Through Screws (2)
4. Housing (1)
5. Two Piece Spindle (1)
6. Post Extensions (2) Rosette Stabilizers (2)
7. Latch (1)
8. Screw & Washer for Handling (1)
9. Face Plate (1)
10. Wood Screws (4)
11. Strike Plate (1)
12. Allen Wrench with 2 Set Screws (1)