

# Multi-Point hardware

## Trim Options

- RSM Plain style rosette, 1,3/4" (45mm) dia. Solid brass. FIG. 32
  - RSSM Plain style rosette, 2" (50mm) dia. Stainless steel. Available in 32D finish only.
  - NEP Narrow long escutcheon plates. Solid brass.
  - NER Narrow long rectangular escutcheon plate. Solid brass.
  - NERS Narrow long rectangular escutcheon plate. Stainless steel. Available in 32D finish only.
  - NES Narrow long escutcheon plates. Stainless steel. Available in 32D finish only.
- RSM and RSSM trims include a profile cylinder with coordinated rosettes. For NEP/NES specifications see page 156.

## Functions

- EAB Entry function with American cylinder below the lever, 92mm center to center. FIG. 29
- PAB Patio function with the interior thumbturn below the lever, no keyway on the exterior plate.
- EAA Entry function with American cylinder above the lever, 92mm center to center. FIG. 30
- PAA Patio function with the interior thumbturn above the lever, no keyway on the exterior plate.
- EE Entry function with profile cylinder, 92mm center to center. FIG. 31
- PE Patio function with 1/2 profile cylinder & thumbturn, no keyway on the exterior plate.
- CE Custom entry function with special center to center sizes. Uses a profile cylinder.
- DA Active dummy pair.
- DS Single dummy, surface mounted spindle.

## Door Thickness

Standard = 1.3/4". We can also accommodate 2.1/4". Please call factory.

## Cylinders

Profile and American type cylinders are all solid brass construction, 5-pin with C-keyways.

## Spindle

8mm square.

## Handing

Handing is required for all multi-point hardware. Please specify RH or LH.

Refer to the handing chart on page 173.

## Finishes

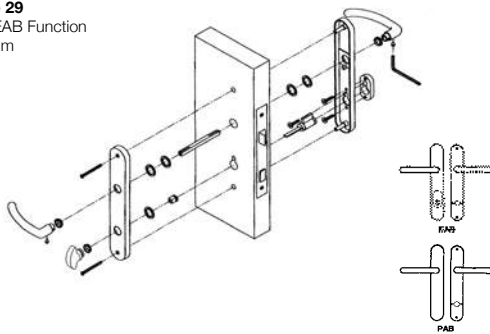
RSM and NEP trims are stocked in polished brass (03) and satin nickel (15) finishes. NER trim stocked in polished chrome (26) and satin chrome (26D).

Custom finishes are available upon special request. Call factory for quotation.

RSSM, NES and NERS trims are stocked in satin stainless steel (32D) only. No custom plating on any stainless steel products.

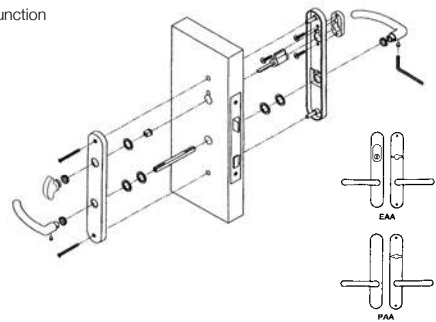
**Figure 29**

Entry EAB Function  
NEP trim



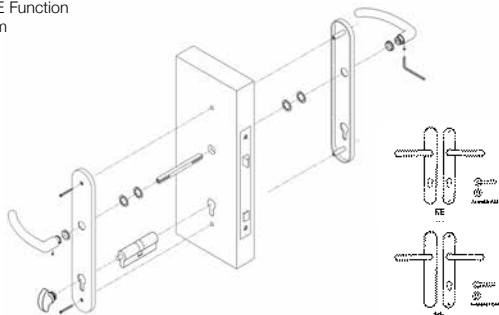
**Figure 30**

Entry EAA Function  
NEP trim



**Figure 31**

Entry EE Function  
NEP trim



**Figure 32**

Entry EE Function  
RSM trim

